

# B 50 W BP+D51+DOSE+RINSE+AUTOFILL

B 50 W Bp compact scrubber dryer for wet floor cleaning with robust aluminium components, dosing system, tank cleaning, D 51 disc brush head and auto-fill/auto-rinse function.



Made in Europe



Technical data		
EAN code		4054278871226
Drive type		Battery
Traction drive		Traction motor
Brush working width	Millimetre	510
Vacuum working width	Millimetre	850
Fresh/dirty water tank	Litre	50 / 50
Theoretical working capacity	Square metre	Maximum 3060
Practical working capacity	Square metres per hour	1840
Power supply for battery charger	Volt / Hertz	100 - 240 / 50 - 60
Driving speed	Kilometres per hour	Maximum 6
Brush speed	Revolutions per minute	140
Brush contact pressure	Kilogram / Grams per square centimetre	29 / 32
Aisle turning width	Millimetre	1400
Water consumption	Litres per minute	Maximum 2.5
Sound pressure level	Decibel	65
Total permissible weight	Kilogram	245
Weight without accessories	Kilogram	103.5
Dimensions (L × W × H)	Millimetre	1367 × 609 × 1082

Equipment	
DOSE	■
Traction drive	■
Charger	■
Curved squeegee	■
Two-tank system	■
Tank rinsing system	■
Fresh water level indicator	Via water pressure
robust aluminium die-cast suction bar	■
Motor	Battery
operation using app	■
Auto-Fill	■
small cleaning agent dosing up to 0.25%	■
Type of suction lips	Linatex®
with speed-dependent water dosing	■
dosing canister for cleaning agent with closed loop system	■
Kärcher colour and operating concept	■
Kärcher Intelligent Key System (KIK) with over 30 user languages and individual user rights	■
Home Base fastening possibilities for mop or similar	■
Easy Operation selector switch	■

■ included in delivery.

This device requires instruction.



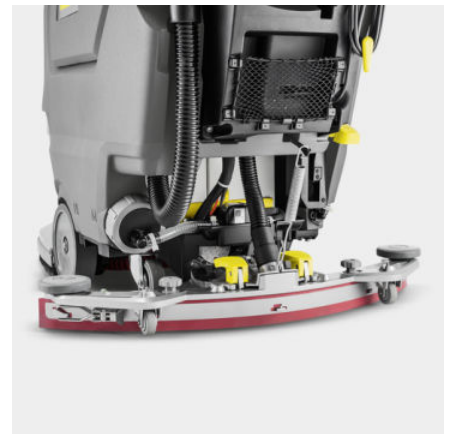
### Extremely compact machine

- Good overview and excellent manoeuvrability.
- Easy handling, safe and robust to prevent damage.



### Connectivity/"Machine connect" smartphone app

- Expanded range of functions and information.
- Resource monitoring, increase in productivity, informative animations for maintenance and troubleshooting.
- Adjustment of parameters, editing of KIK authorisations.



### Brush head and squeegee made from cast aluminium

- Robust and hard-wearing components.
- Fewer machine downtimes and higher productivity at lower costs.

## EQUIPMENT FOR B 50 W BP+D51+DOSE+RINSE+AUTOFILL

1.533-228.0



	Order No.	Description	
<b>DISC BRUSHES FOR BD</b>			
Disc brush, medium, red, 510 mm	1 4.905-026.0	Red standard disc brush for regular maintenance cleaning.	■
Disc brush complete white D51, very soft, white, 510 mm	2 4.905-028.0	White, soft disc brush for the gentle cleaning of sensitive floor coverings.	□
Disc brush, soft, natural, 510 mm	3 4.905-027.0	Natural-coloured, soft disc brush for cleaning and polishing textured floor coverings.	□
Disc brush complete black D51, hard, black, 510 mm	4 4.905-029.0	Black, very abrasive disc brush for the deep cleaning of hard-wearing floor coverings with very sticky dirt.	□
<b>BRUSH HEADS</b>			
Brush head D51	5 2.763-051.0	Robust and compact D 51 aluminium brush head with a disc brush and working width of 51 cm. Integrated deflector roller, low operating nose and colour-coded components.	■
<b>SUCTION BARS AND SQUEEGEES</b>			
<b>Suction bar, complete</b>			
Suction bar parabolic 850mm/33in, 850 mm, parabolic	6 4.778-008.0	For excellent suction and drying results: robust, parabolic aluminium squeegee with 850 mm suction width and quick coupling. Allows tool-free change of suction lips.	■
<b>Squeegees for suction bars</b>			
Suction lip set Linatex 850mm/33in, Linatex®, 944 mm	7 4.400-011.0	Tear-proof Linatex® suction lip set for parabolic squeegees of 850 mm in width. With special inlet openings for optimum suction results on crevices and profiled floor coverings.	■
<b>DISC PADS / PAD DRIVE BOARDS</b>			
<b>Pads</b>			
Pad, soft, white, 508 mm, 5 x	8 6.371-320.0	Soft, non-abrasive pad for polishing to a dazzling shine.	□
Pad, soft, beige, 508 mm, 5 x	9 6.369-468.0	Beige-coloured pad for ultra high-speed polishing and cleaning.	□
Pad, medium-soft, red, 508 mm, 5 x	10 6.369-079.0	Medium soft, for wet-cleaning of all surfaces and for spray cleaning.	□
Pad, medium-hard, green, 508 mm, 5 x	11 6.369-078.0	Medium hard, for cleaning stubborn soiling and for deep cleaning.	□
Pad, hard, black, 508 mm, 5 x	12 6.369-077.0	Black, very abrasive disc pad for the deep cleaning of hard-wearing floor coverings with very sticky dirt.	□
Pad SPP 51 Set 2x, hard, brown, 508 mm, 2 x	13 2.639-258.0	Very abrasive disc pad for chemical-free care film and decoating.	□
<b>Pad drive board</b>			
Pad drive board, 479 mm	14 4.762-534.0	For cleaning with pads. With quick-change coupling and Centerlock.	□

■ Included in delivery. □ Available accessories.

**CONTACT US**

*The Experts in Cleaning Equipment*



+61 9249 8744

ccequipment.com.au

info@ccequipment.com.au

4 STANFORD WAY, MALAGA WESTERN AUSTRALIA 6090  
PO BOX 2438 MALAGA WESTERN AUSTRALIA 6944

ABN: 53 780 286 266